

WamBam

Fun Name. Serious Fence.

ALL AMERICAN VINYL PICKET FENCE WITH NO-DIG STEEL PIPE ANCHOR KIT (42" H X 72" W)

45 MIN

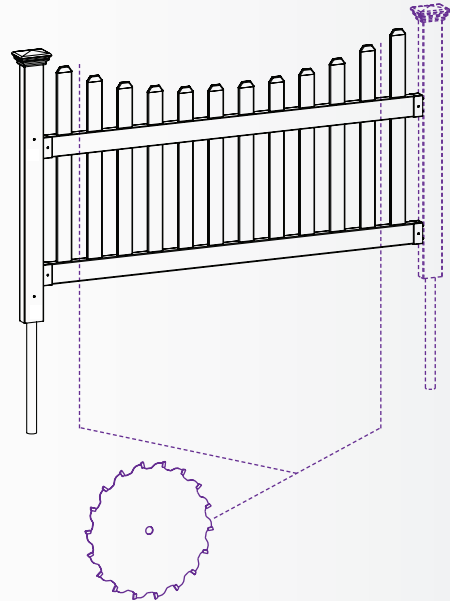
Approximate assembly time

*Want to see a video on how to
assemble this product?*

Scan the QR code



ASSEMBLY INSTRUCTIONS ZP19041



*This fence can be easily trimmed to fit your
custom space by using a fine tooth or hack
saw.*

GENERAL INFORMATION

MISSING OR DAMAGED PARTS?



➤ **Visit Our Website**
so we can help you right away!
parts.nychbrands.com

* You can also reach us via phone or email.

Hours of Operation - **Weekdays 9am-5pm EST**

To better help you, **please have the following**

- Your product number (**ZP19041**)
- Your affected part letters
- Your original product box

NEED ASSEMBLY HELP?

If you are having problems with assembly or installation of this product,
please contact at:

 **704-892-5222 / 877-234-6196**  **hmmm@wambamfence.com**

NEED TO RETURN?

If for some reason you need to return this product, please allow us to help resolve your issues first. If you still decide to return the product, **you will need to initiate the return from the company you originally purchased from.**

HAVE YOU CONTACTED YOUR LOCAL UTILITIES?

You must call your local utilities before you start installing your fence to avoid puncturing any unseen underground utilities, especially electrical or gas lines. Fortunately, this is made easy for you.



**Know what's below.
Call before you dig.**

- < *Simply call **811** in the US or visit www.call811.com.*
- < *In Canada, visit www.tcenergy.com/vendors for a list of phone numbers by province.*

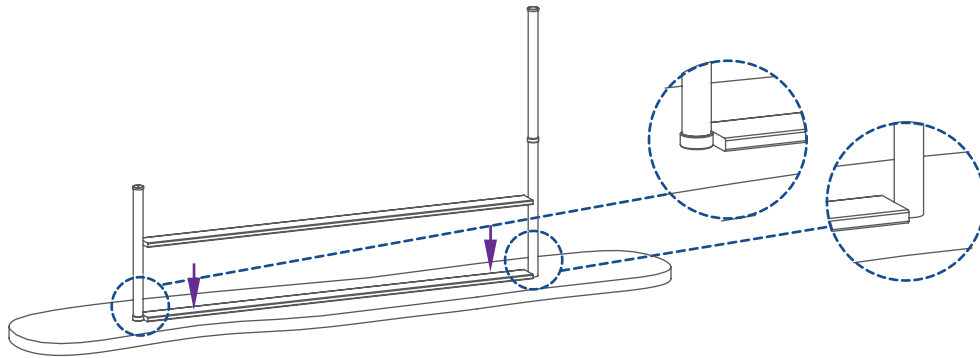
IMPORTANT! UNSTABLE GROUND OR ROCK?



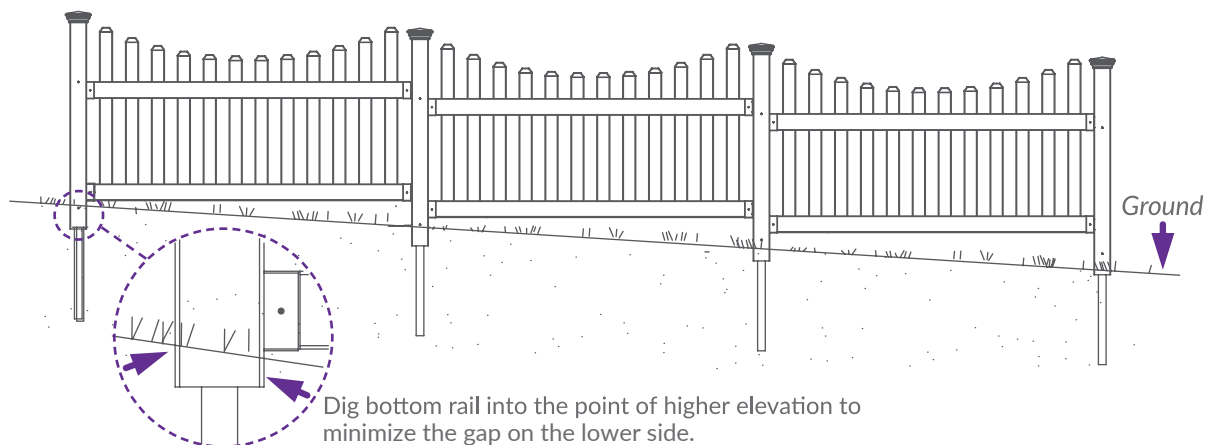
If you encounter rock or unstable ground, you can concrete the pipe into place either during installation or afterwards.

TIPS:

1. It is extremely difficult to move pipe anchors once they are driven into the ground, so carefully planning and measuring your fence is essential.
2. After you've installed your first fence panel and feel familiar with the process, you can opt to temporarily remove your fence panel and posts, and continue driving all of your pipe anchors.
3. If you wish to cut down your fence, use a fine-toothed metal or wood blade.
4. Optionally, for easier spacing of pipe anchors, you can use a piece of 1x4 wood lumber cut 70 1/4" for step 2.3 on page 7.

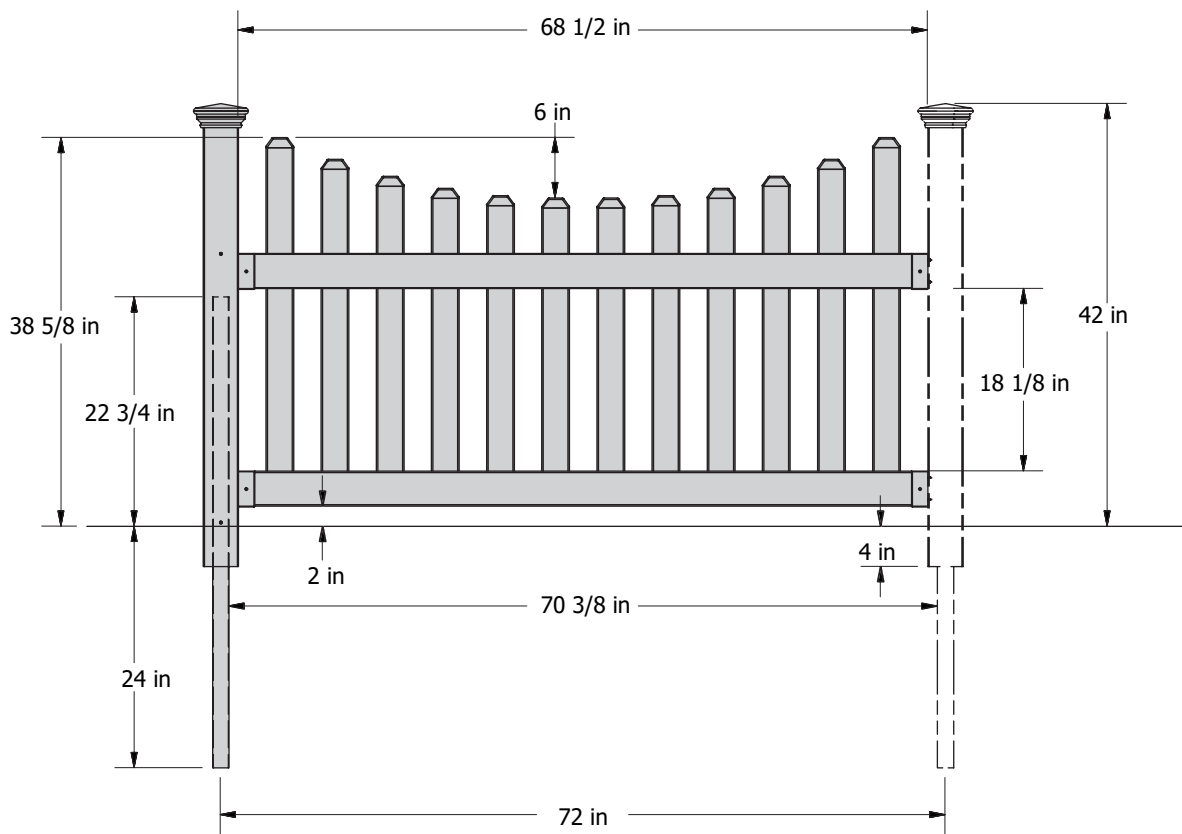


5. If your yard is steeply pitched or is very uneven, you may need to stair-step your panels as illustrated below. Post heights can be trimmed down as necessary.



Warning: If your yard has a severe slope or elevation change greater than approximately 5" to 6" over one panel of fence, you will not be able to install this fence. Your post will not be long enough to accommodate this slope.

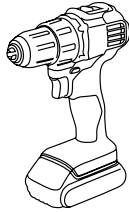
DETAILED PRODUCT DIMENSIONS AND SPECIFICATIONS



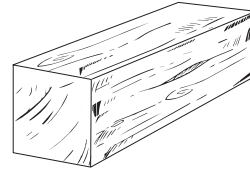
LAY OUT MATERIALS

► Tools required for a smoother installation experience.

► Drill



► Wood Blocks (Optional)



A ►



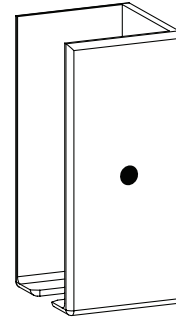
Pipe Anchor (1)
1 5/8" Diameter x 44 7/8"

B ►



Post (1)
2" x 3 1/2" x 44 5/8"

C ►



Rail Bracket (4)

D ►



Picket (12)
#1(2) - 3/8" x 2 3/4" x 36 1/2"
#2(2) - 3/8" x 2 3/4" x 34 3/8"
#3(2) - 3/8" x 2 3/4" x 32 3/4"
#4(2) - 3/8" x 2 3/4" x 31 1/2"
#5(2) - 3/8" x 2 3/4" x 30 3/4"
#6(2) - 3/8" x 2 3/4" x 30 1/2"

E ►



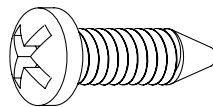
Top Rail (1)
1 1/2" x 3 1/2" x 68 1/4"

F ►



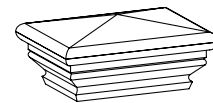
Bottom Rail (1)
1 1/2" x 3 1/2" x 68 1/4"

G ►



3/4" Self-Drilling Stainless Steel Screw (24)

H ►

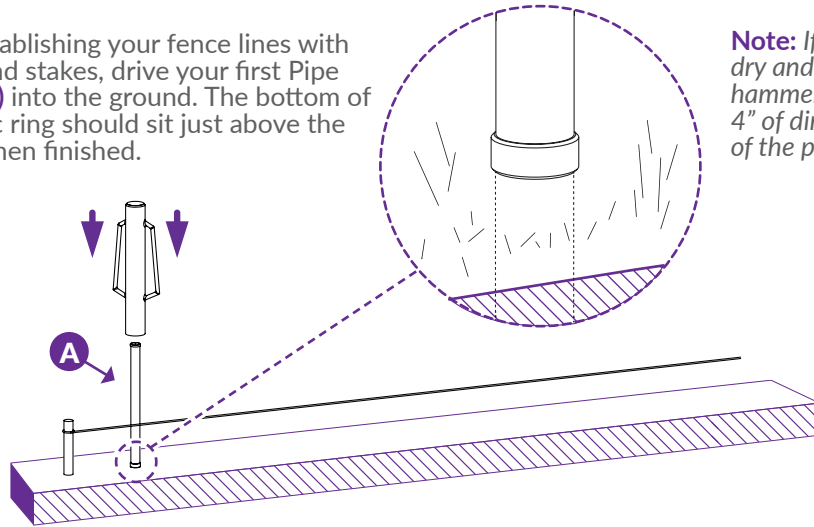


Post Cap (1)

INSTALL PIPE ANCHORS

STEP 1

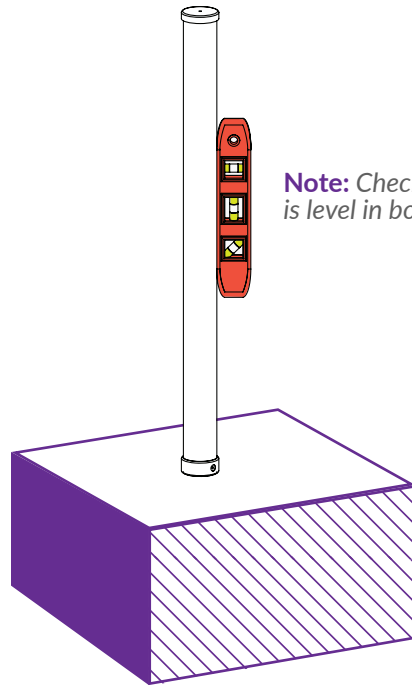
▶ After establishing your fence lines with a string and stakes, drive your first Pipe Anchor (E) into the ground. The bottom of the plastic ring should sit just above the ground when finished.



Note: If your ground is dry and hard, use a claw hammer to loosen 2" to 4" of dirt around the base of the pipe anchor.

STEP 2

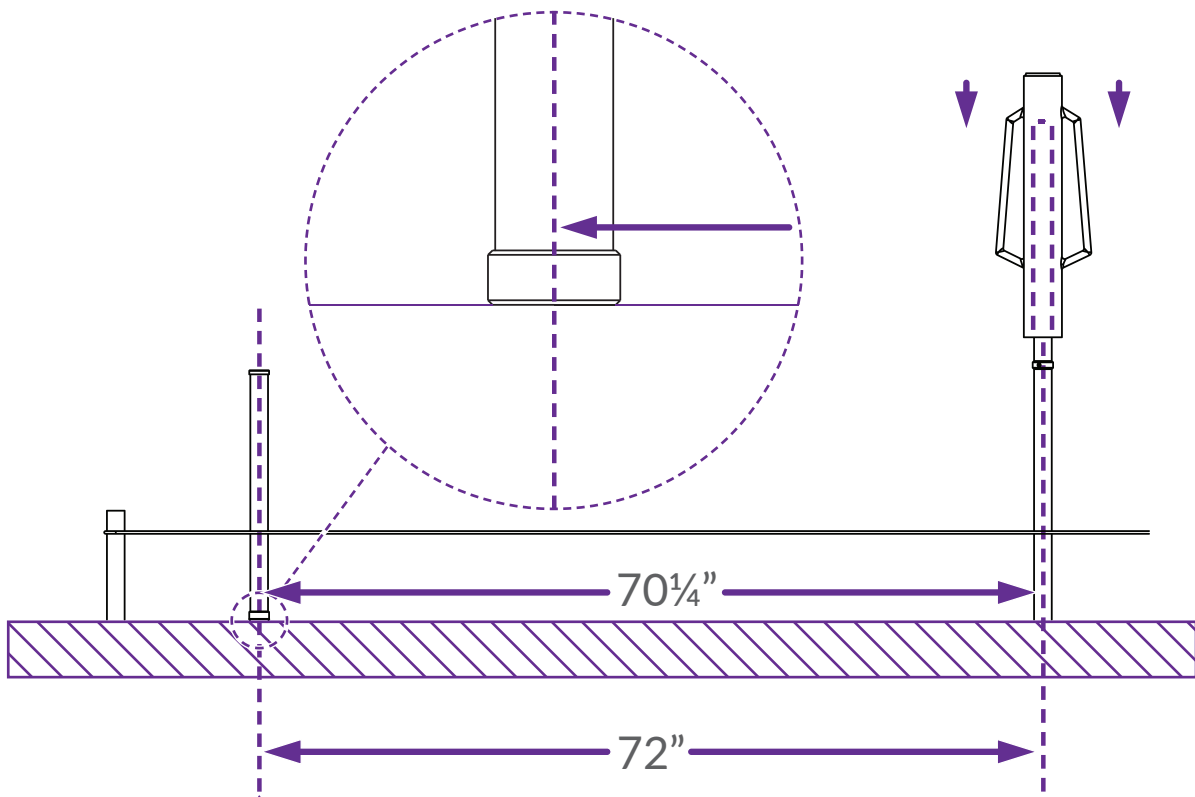
▶ Try to drive the pipe anchor as level as possible. Check that it is level every few inches. After about 18", the trajectory of the pipe is usually established and you cannot manually pull the pipe anchor back into level.



Note: Check that the pipe anchor is level in both directions.

STEP 3

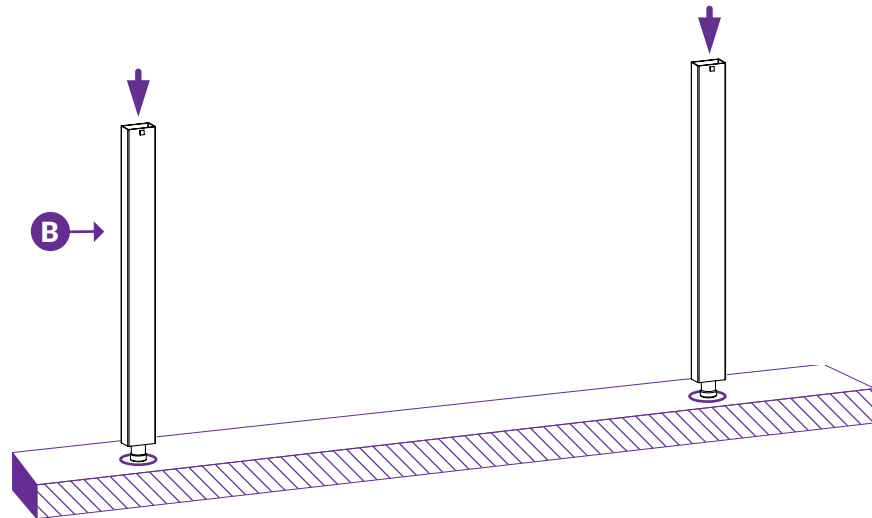
- Identify the location of your second pipe anchor and drive it into the ground. The distance from the plastic ring to the next pipe anchor should be $70\frac{1}{4}$ " (or 72" center to center).



INSTALL POSTS OVER PIPE ANCHORS

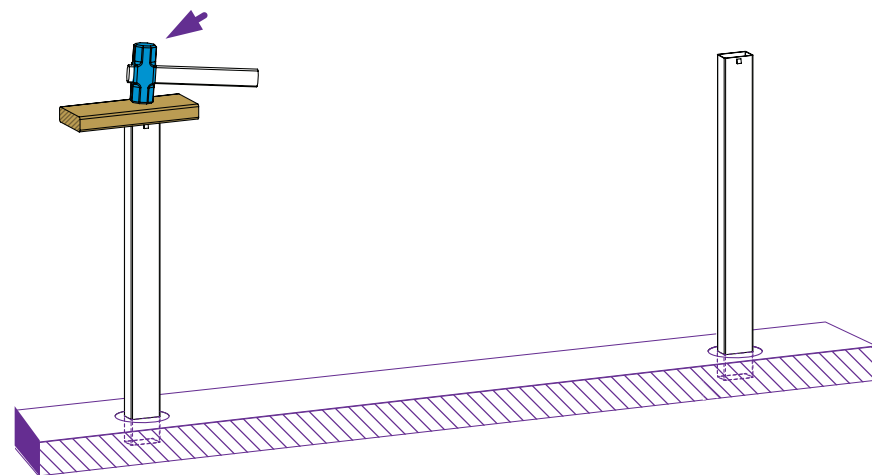
STEP 4

► Orient the Post (C) with its tab at the top and slide the post over the pipe anchor down into the ground. Repeat for the second post (not included).



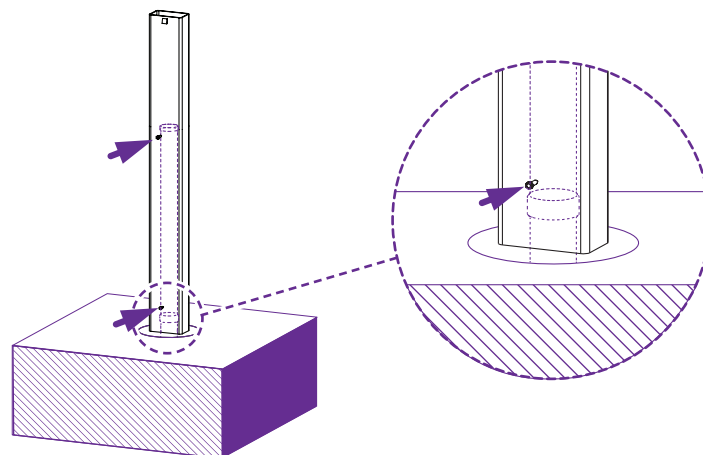
STEP 5

► Using a wood block, pound the post so that the bottom 2" to 4" is below the ground. Repeat for the second post.



STEP 6

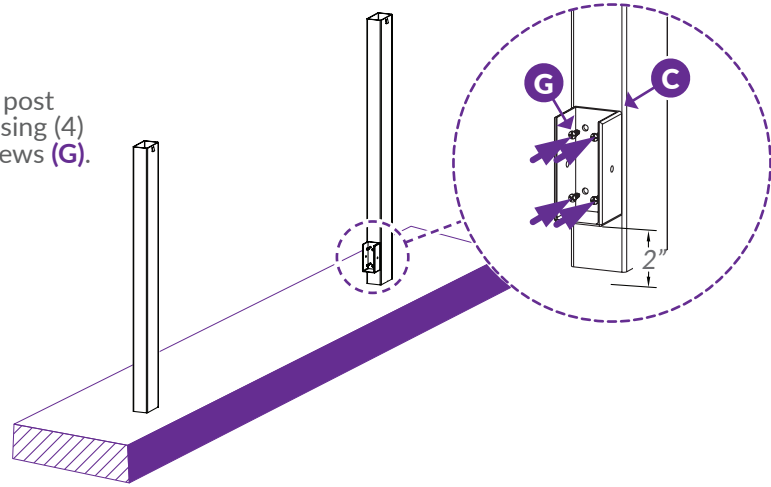
► **Optional:** Secure the post to the pipe anchor with (2) 1" self-drilling hex head steel screws (not included).



INSTALL RAILS

STEP 7

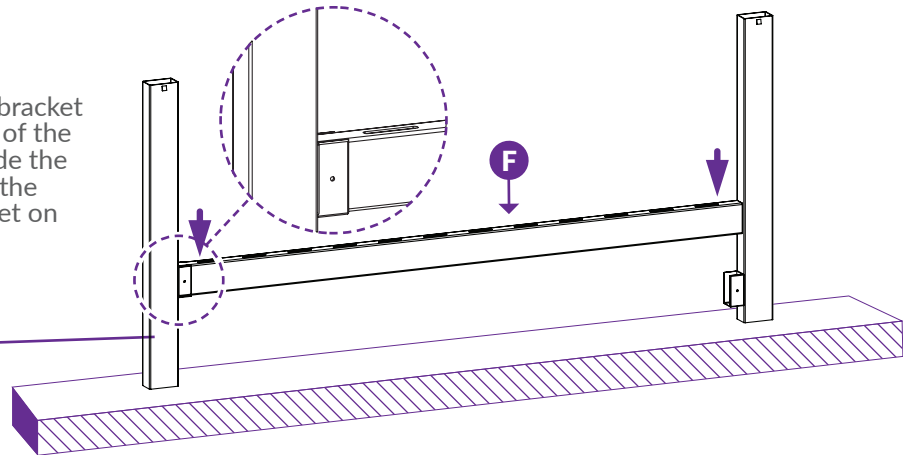
- ▶ Install (1) Rail Bracket (C) on the post approximately 2" off the ground using (4) $\frac{3}{4}$ " Self-Drilling Stainless Steel Screws (G).



STEP 8

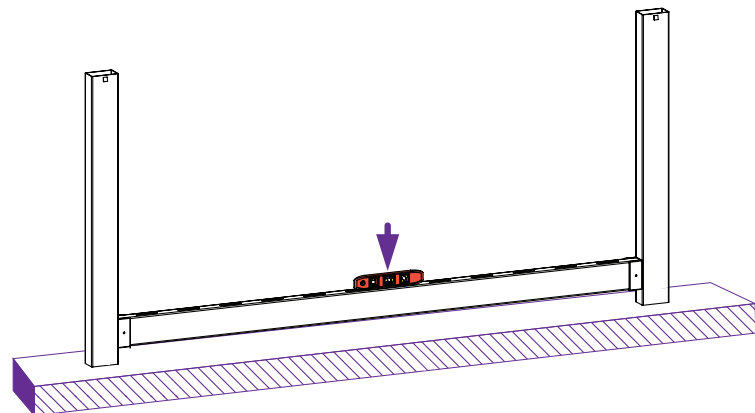
- ▶ Slide the second rail bracket over the opposite end of the Bottom Rail (F) and slide the bottom rail down into the pre-installed rail bracket on the opposing side.

Note: Adjust this post to the rail length by sliding the post left or right.



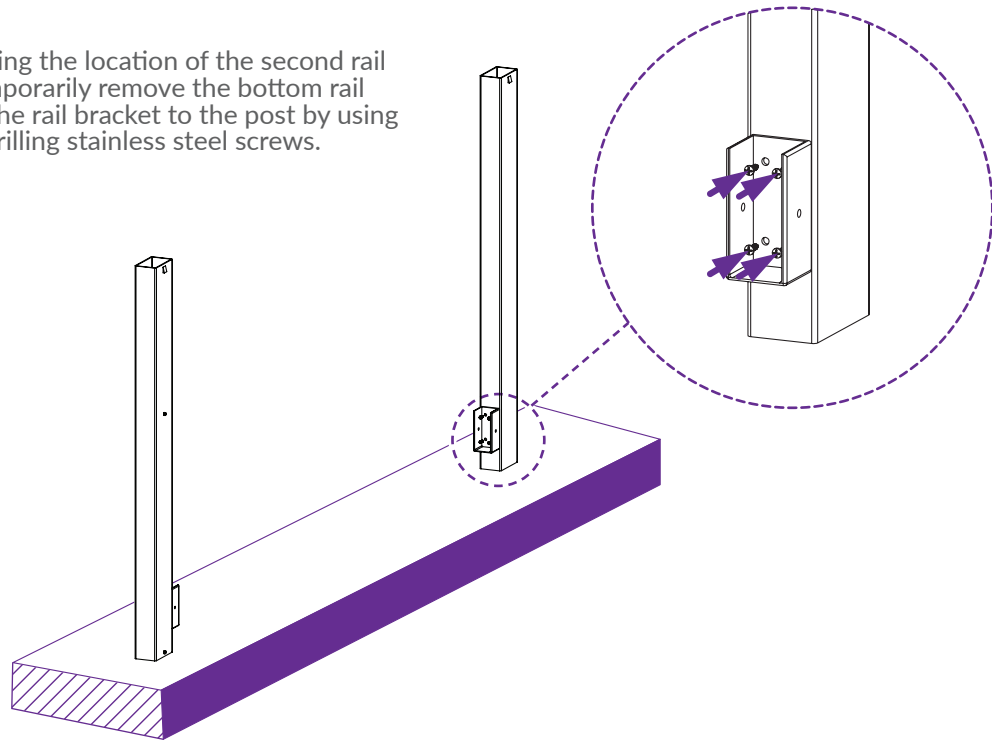
STEP 9

- ▶ Use a level on the top of the bottom rail to determine the height of the opposing rail bracket and mark for installation.

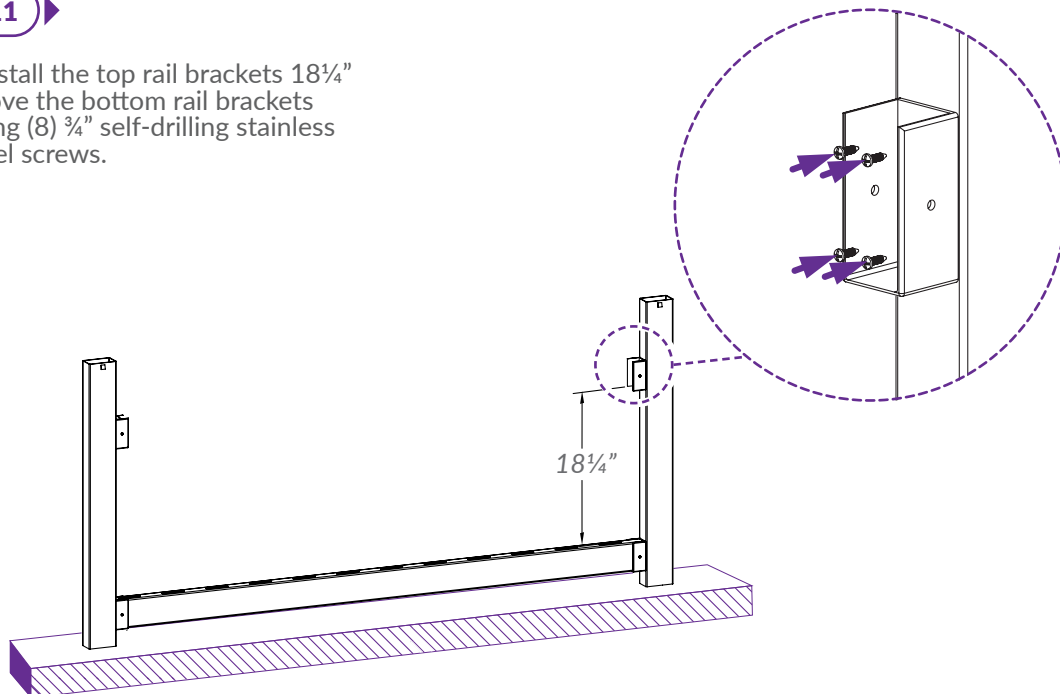


STEP 10

► After marking the location of the second rail bracket, temporarily remove the bottom rail and attach the rail bracket to the post by using (4) $\frac{3}{4}$ " self-drilling stainless steel screws.

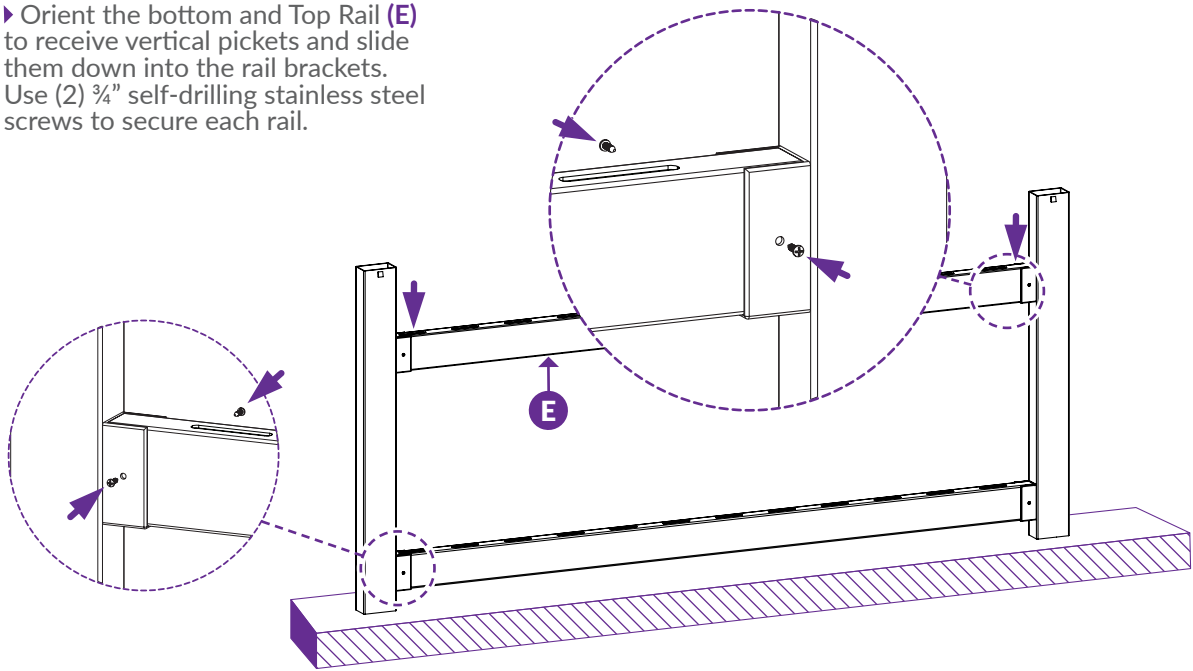
**STEP 11**

► Install the top rail brackets $18\frac{1}{4}$ " above the bottom rail brackets using (8) $\frac{3}{4}$ " self-drilling stainless steel screws.

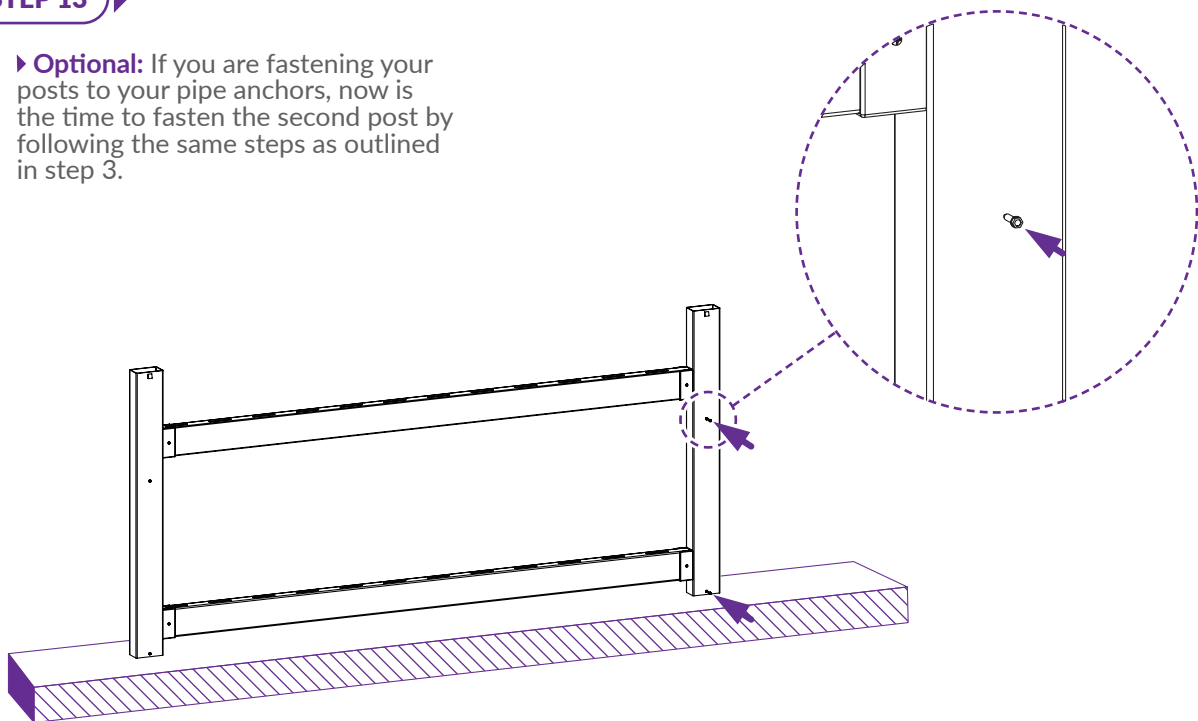


STEP 12

► Orient the bottom and Top Rail (E) to receive vertical pickets and slide them down into the rail brackets. Use (2) 3/4" self-drilling stainless steel screws to secure each rail.

**STEP 13**

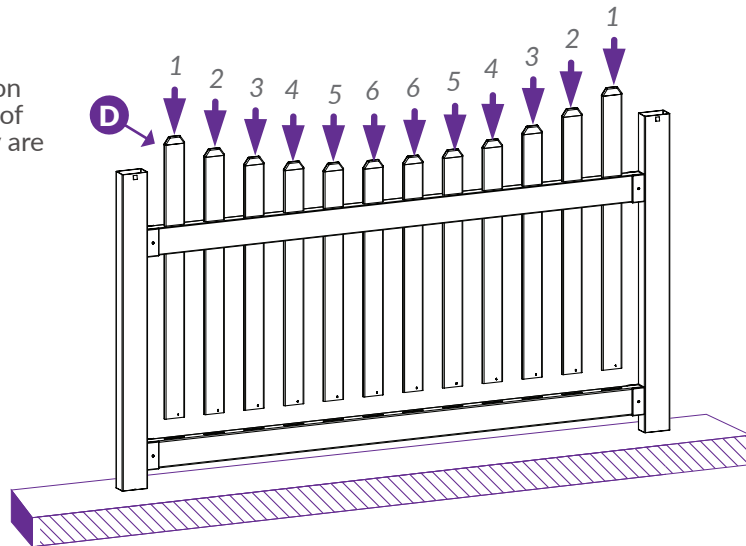
► **Optional:** If you are fastening your posts to your pipe anchors, now is the time to fasten the second post by following the same steps as outlined in step 3.



INSTALL PICKETS AND POST CAPS

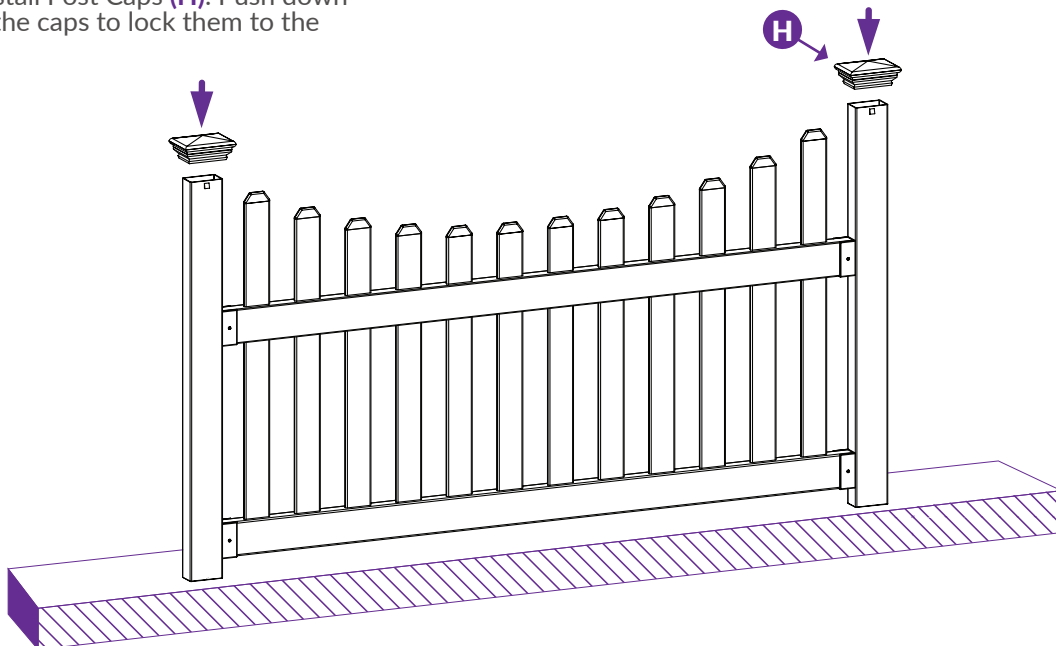
STEP 14 ▶

▶ Insert Pickets (D) through the top rail and lock them into the bottom rail. Pay special attention to the numbers on the bottom of each picket to ensure that they are inserted in the correct pattern.



STEP 15 ▶

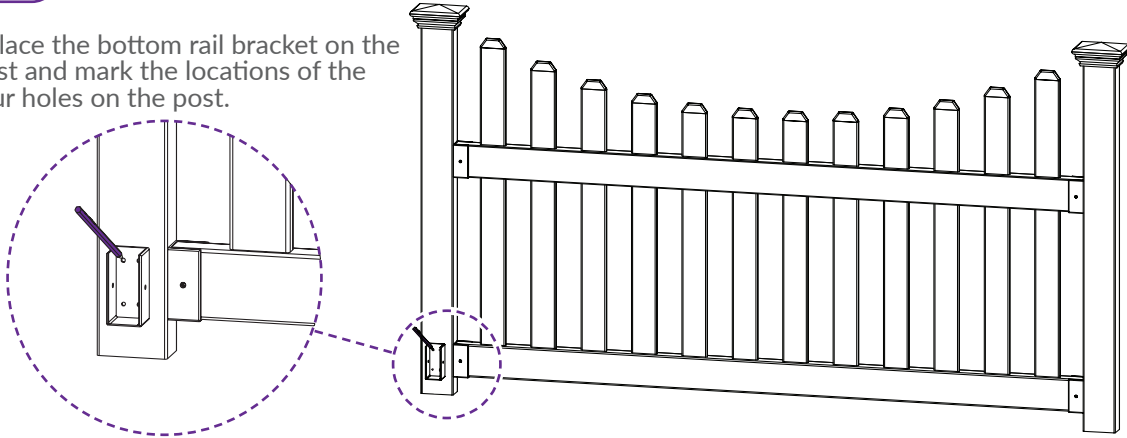
▶ Install Post Caps (H). Push down on the caps to lock them to the



TIPS: INSTALLING BOTTOM FENCE BRACKETS AT A 90° ANGLE

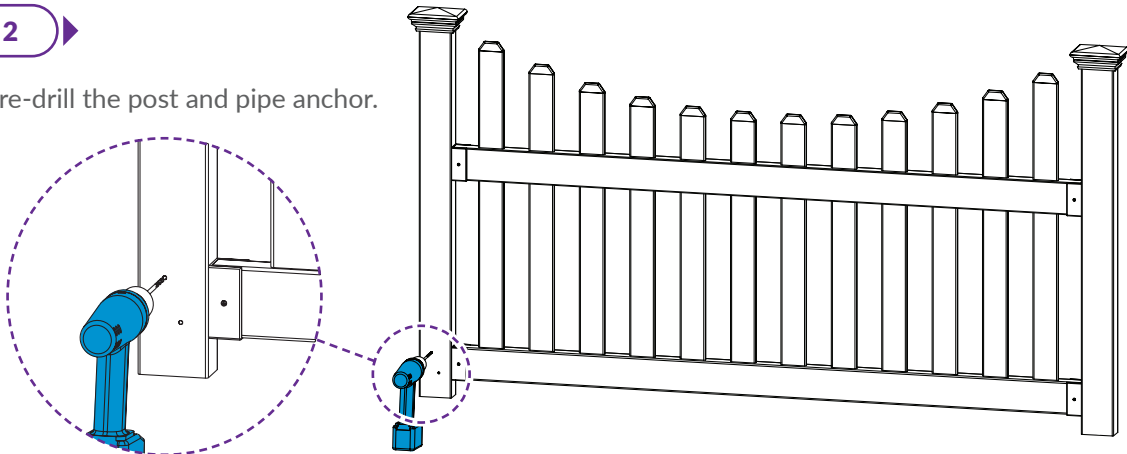
TIP 1

- ▶ Place the bottom rail bracket on the post and mark the locations of the four holes on the post.



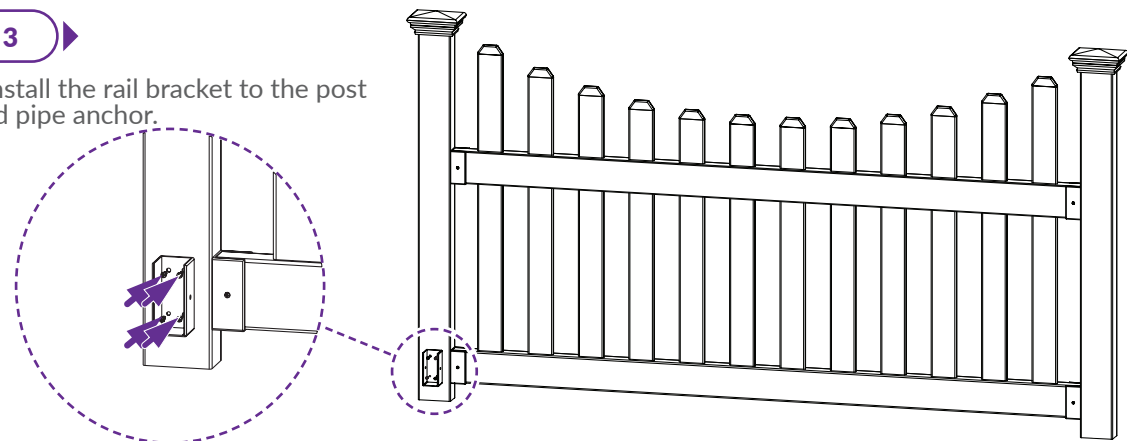
TIP 2

- ▶ Pre-drill the post and pipe anchor.



TIP 3

- ▶ Install the rail bracket to the post and pipe anchor.



WamBam

Fun Name. Serious Fence.



6935 Reames Rd. Ste. K.
Charlotte, NC 28216



hmmm@wambamfence.com

704-892-5222
877-778-5733



WWW.WAMBAMFENCE.COM